

MATERIALS AND FINISHES

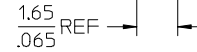
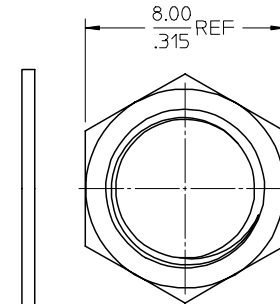
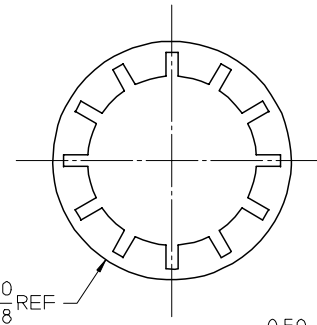
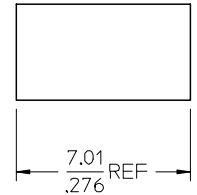
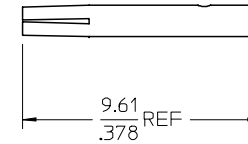
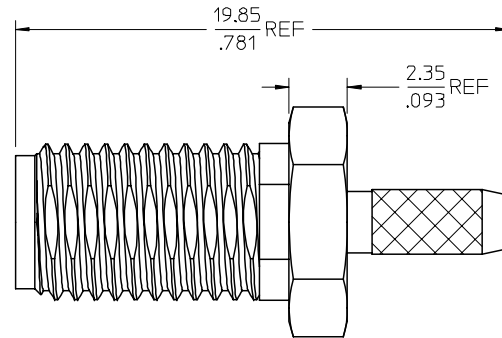
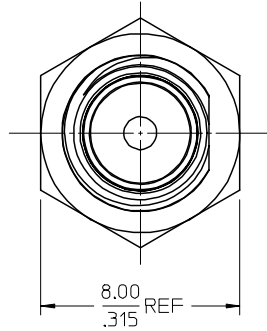
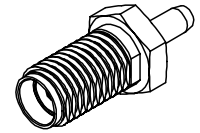
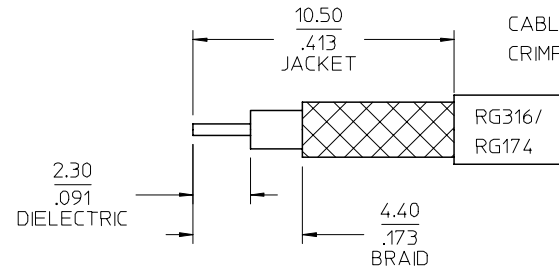
BODY, CRIMP TUBE, JAM NUT: BRASS  
PLATED GOLD

CONTACT: BERYLLIUM COPPER  
PLATED GOLD

INSULATOR: TEFLON

LOCK WASHER: PHOSPHOR BRONZE  
PLATED GOLD

CABLE STRIPING DIMENSIONS  
CRIMP USING 3.25/.128 HEX



73251-0261	W/O WASHER AND NUT
73391-0260	W/ WASHER AND NUT
PART NO.	DESCRIPTION

PS-73436-009	ELEC/MECH PERFORMANCE
SPECIFICATION	DESCRIPTION

CHG: ADDED P/N 73361-0261 EC NO: URF2008-0007 DRWNLIN 2007/07/06 CHKD: 2007/07/09 APPR: MJIANG 2007/07/09 A2	QUALITY SYMBOLS ▽=0 ▽=0	GENERAL TOLERANCES (UNLESS SPECIFIED) mm INCH 4 PLACES ± --- ± --- 3 PLACES ± --- ± --- 2 PLACES ± --- ± --- 1 PLACE ± --- ± --- ANGULAR ± 2 °	DIMENSION STYLE MM/IN DRAWN BY: LYNN LIN DATE: 2001/06/14 CHECKED BY: DATE: APPROVED BY: DATE:	SCALE: TITLE: SMA JACK, BULKHEAD FOR RG316/174 SMA-JC DESIGN UNITS: METRIC THIRD ANGLE PROJECTION
		DRAFT WHERE APPLICABLE MUST REMAIN WITHIN DIMENSIONS	MATERIAL NO.: SEE TABLE DOCUMENT NO.: SD-73391-026 SHEET NO.: 1 OF 1	